

W6AGO

AEA Amateur Radio Club August Meeting



**Saturday
Afternoon
Antenna
Projects**

Thursday August 31, 2023

11:30 AM to 12:30 PM Pacific

Teams and A3/1607A

Email Kirk Crawford for invite

See **My Aerospace**
announcement for more info



AEA Amateur Radio Club Officers



President
Kirk
Crawford
KK6KC



Vice President
Thomas Fagan
K7DF



Secretary
Bob Lanahan
KK6WYW



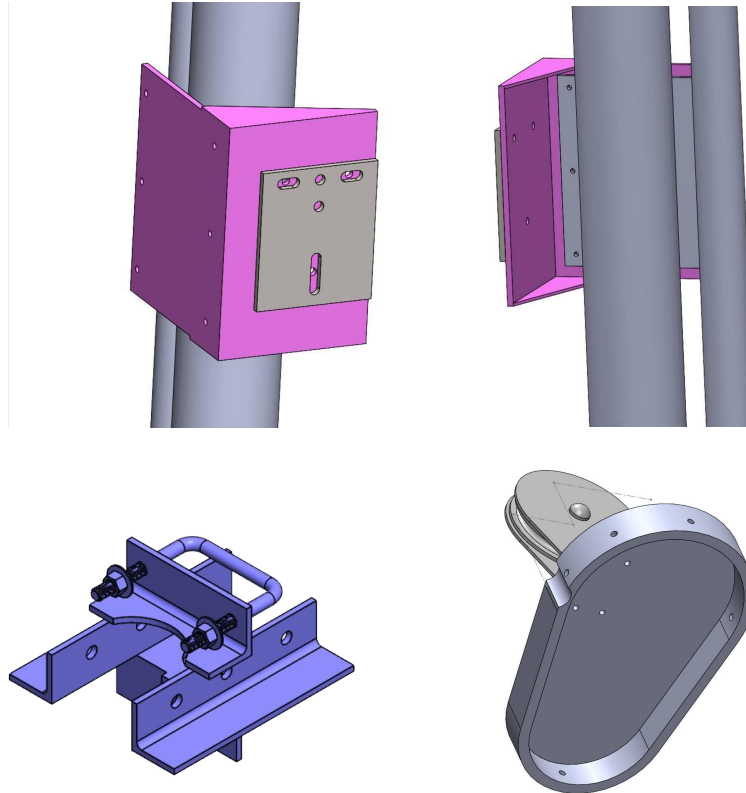
Treasurer
Daniel Plaster
KN6OJH

Agenda

- D8 Antenna Status
- Budget Submission Report
- Presentation QSO Today Video
- HAM Question Time

D8 Antenna Status

- Mast on D8
 - Mostly Prepped
 - Needs Sand/Paint
- Parts designed
- Winch and top pulley purchased and received
- Waiting for:
 - D8 re-roofing
 - Sand/Paint Fixed Mast
 - Build parts
 - Buy tilting mast
 - Install tilting mast
 - Fix SteppIR
 - Install SteppIR





Budget Report

- Budget Submitted on time. (Thanks Dan!)
- \$4200 request
- Items planning to purchase:

Equipment Purchase	Expense	Price Justification
Morse Code Keys	\$400	Need morse keys for two shacks
VHF/UHF Radio	\$2000	Modern VHF/UHF Radio for A3 Shack
HF Radios	\$3000	Modern HF Radios for A3 Shack & EOC
Headset Adapters	\$40	Allow Headset Use during Field Day
Handheld Radios	\$400	For Ham Use On Campus
Antenna Brackets	\$1000	Needed for A3 Shack HF Antenna
Materials for repair of D8 antenna	\$3000	
Total FY24 Equipment	\$9840	We have funds leftover from last FY that make up the difference



Presentation

Simple Saturday Afternoon Antennas With a Bonus on NVIS

John Leonardelli

VE3IPS



HAM Radio Question Time

Got a Question?